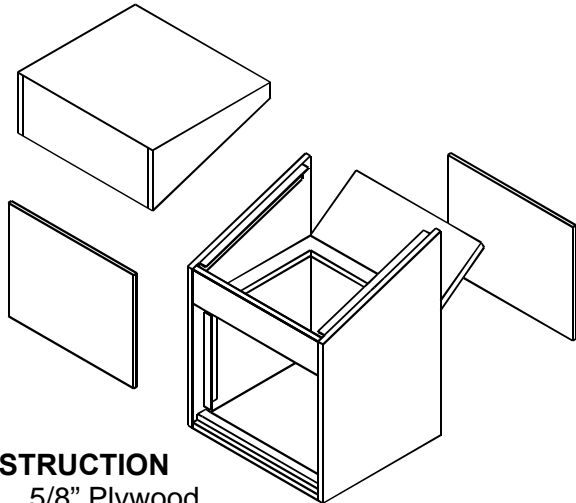


TR SERIES



CONSTRUCTION

- 5/8" Plywood
- Carpet covered
- Heavy duty plastic corners
- Surface mounted spring handles
- Push-in front and rear doors w/security snaps

NAMING CONVENTIONS

Example: TR16-08SP

TR16-08SP • 16=16" usable depth
 add 3" for outside depth up to 16"
 add 4" for outside depth 18" and over
 example: TR16 has 19" outside depth
 TR18 has 22" outside depth. Rails are
 recessed 1" up to TR16, and 2" for
 TR18 and up.

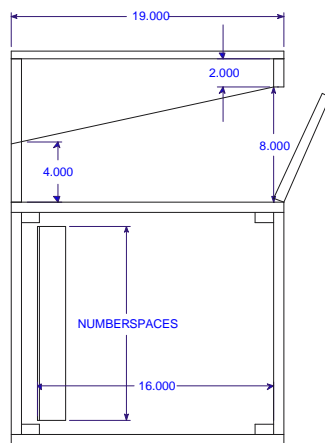
TR16-08SP • This number denotes the
 amount of spaces in the lower rack.

OTHER INFORMATION

Top lid has an interior height in the back of 2".
 This height is sufficient for all mixers with
 rear inputs. Mixers with inputs on top may
 require a taller lid. Call for details.
 Rear top door is hinged for easy access to
 rear inputs and outputs.

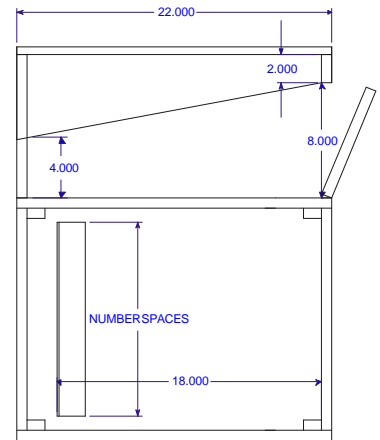
Shown is a TR16
 series rack. Note
 the 19" outside
 depth. Front
 depth under the
 mixer is 4" and 8"
 in the rear.

The 16" (TR16)
 depth is shown
 from the front of
 the rail to the
 rear door.



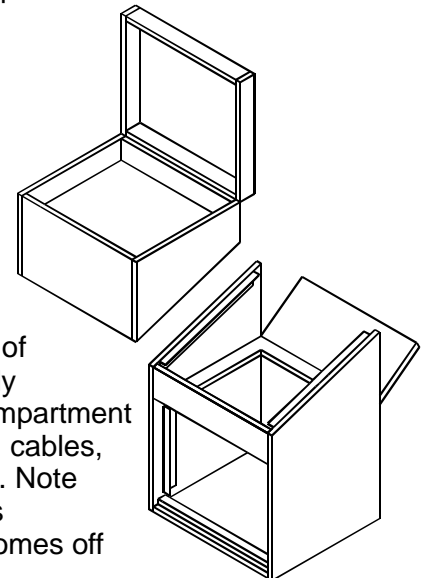
Shown is a TR18
 series rack. Note
 the 22" outside
 depth. Front
 depth under the
 mixer is 4" and 8"
 in the rear.

The 18" (TR18)
 depth is shown
 from the front of
 the rail to the rear
 door.



TR14	Usable depth (Bottom)	14"
	Outside depth	17"
	Rails in top section	7 space
	Rails inset from door	1.25"
	Handles	1 each side
TR16	Usable depth (Bottom)	16"
	Outside depth	19"
	Rails in top section	9 space
	Rails inset from door	1.25"
	Handles	1 each side
TR18	Usable depth (Bottom)	18"
	Outside depth	22"
	Rails in top section	11 space
	Rails inset from door	2.25"
	Handles	1 each side
TR20	Usable depth (Bottom)	20"
	Outside depth	24"
	Rails in top section	13 space
	Rails inset from door	2.25"
	Handles	2 each side

The extra 1" in rack rail depth is added to the TR18's
 and up to allow for amp handles.



Add a caddy to the lid of
 the TR rack. The caddy
 is an extra storage compartment
 (6") tall to store mikes, cables,
 and other accessories. Note
 that when the top lid is
 removed, the caddy comes off